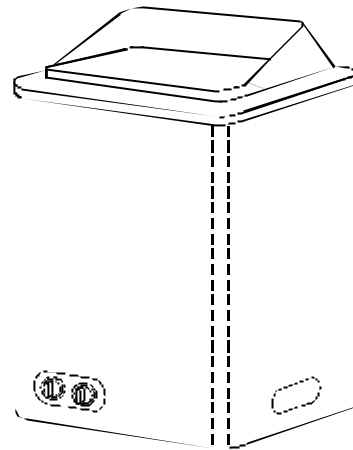


# INSTRUCTIONS FOR INSTALLATION AND USE

**SAUNA HEATER 1712-30-171820**  
**1712-45-171820**  
**1712-60-171820**  
**1712-80-171820**  
**1712-90-171820**



We wish you many hours of relaxation and pleasure in your sauna. Please read the instructions beneath very carefully in order to find out how the sauna works.

**ATTENTION:** The sauna heater must be connected to the power supply by a qualified electrician and in compliance with current regulations.

## **INSTALLATION OF THE HEATER**

For information about how to install the heater, please see page 3. When mounting the heater, please take note of the following:

- Follow the given instructions
- Wood panelling is the approved material for walls and ceiling in the sauna room.
- Check that the wall panelling is secured where the screws will be fastened.
- Only one sauna unit may be installed in a sauna room.
- The heater must not be surrounded by a compact heater guard.

Before installing the heater, please check the following:

- That the following parts have been delivered: heater, stones.
- That the voltage of the heater is correct.
- That the kW of the heater corresponds with the size (m<sup>3</sup>) of the sauna room. See table 1.
- That the minimum construction distances in fig. 2 are strictly followed.

## **MOUNTING THE SAUNA HEATER** (See fig 2)

Drill the four screw holes using a 3,5 mm drill bit. The screw head should be approx. 3 mm from the wall surface. Make sure that the screws are fastened through the sauna room soft wood lining into a backing board to hold the heater.

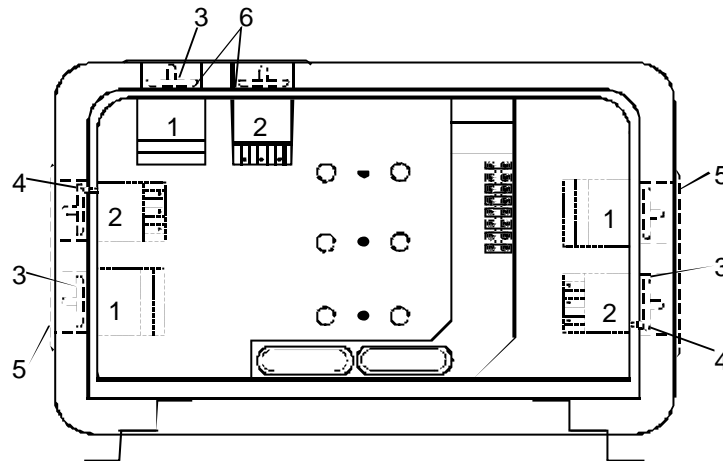
Hang the heater on the screws. Tighten the lower screws in order to lock the heater in position. Re-check your distances from the heater to combustible materials to make sure the stipulated minimum distances are followed.

## CHOOSING LEFT OR RIGHT CONTROLS

The unit is supplied with a timer and thermostat installed on the front side of the unit. If it is necessary to move the controls to the right or to the left, this should be done by a qualified electrician when the heater is installed (see fig. 4).

1. Turn the sauna unit upside down, remove the bottom plate.
2. Remove the knobs (3) for the thermostat (2) and the timer (1) by pulling them straight out.
3. Remove the screws (6) holding the timer and thermostat.
4. Remove the sectional plate from the side of the unit.
5. Move the timer (1) and the thermostat (2) to the side. The dial plate (5) is separately mounted using the thermostat and timer mounting screws.
6. Press the knobs into place.

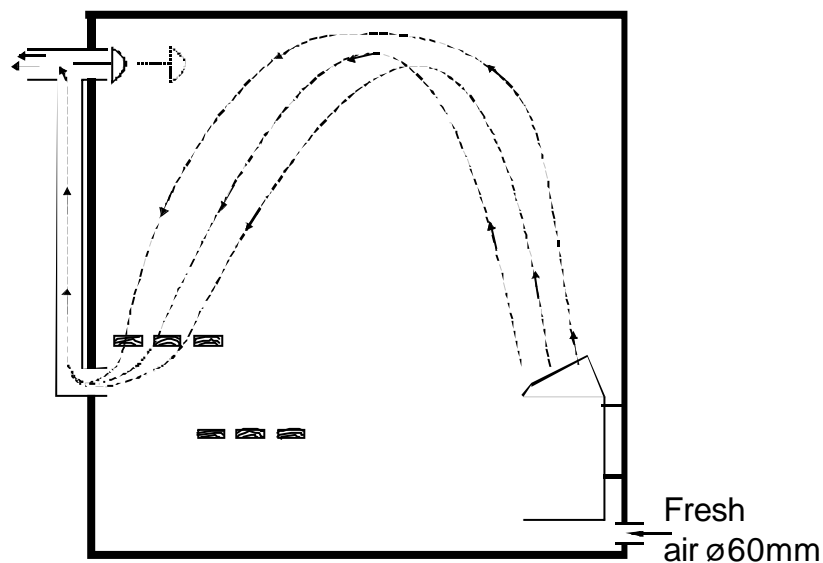
Fig 4



## VENTILATION

To make the sauna bath as pleasant and healthy as possible, the sauna room must be correctly ventilated. Incoming air should, if possible, be led in through a vent immediately under the sauna unit. This vent should be at least 60mm in diameter.

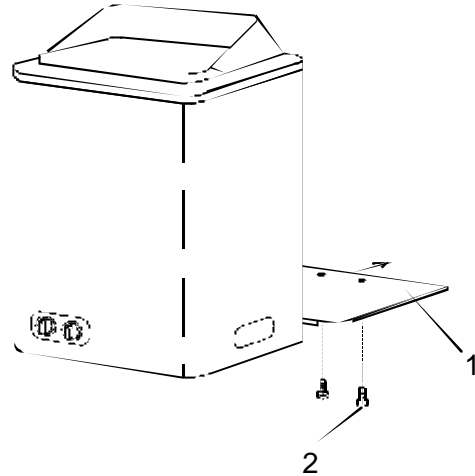
The exhaust air should, if possible, be led out from the opposite wall, preferably as far as possible from the incoming air vent. The exhaust air vent should be twice the size of the incoming air vent, and placed about 600mm higher than the fresh air inlet ventilator.



## MAIN CONNECTION

The cable used must be at least rubber coated HO7RN-F type. Also other cables coming from the heater (such as those for the signal lamp, locking circuit for other heating appliances) should be of corresponding type and have a similar cross-section as the above mentioned.

- Remove the bottom part. (1)
- Connect the heater.
- Mount the bottom part.
- Mount the screws (2) back.



## TEMPERATURE CONTROL

The thermostat control is set to the desired temperature. The sauna will reach the desired temperature in about 60 minutes, depending on the size and the construction of the sauna room.

## OVERHEATING PROTECTION

If for any reason the air temperature exceeds acceptable limits, the overheating protection automatically cuts off the power supply. When the heater has cooled down the power can be on again by pressing the reset button. The reset button is placed near the thermostat knob and it is reset by pushing a screwdriver through the hole in the front of the unit. If the unit has an one-piece bottom part the part must be removed first. Before pressing the reset button, the possible cause of overheating should be investigated.

## TIMER

The timer, which is the main power switch of the sauna unit, automatically shuts off the unit at the desired time.

8 + 4 hour preselection timer setting:

The timer allows between 1 and 8 hours presetting, and the maximum running time is always 4 hours.

If you want to use the sauna as soon as possible, the switch is set anywhere between 1 and 4 hours, and the unit is on.

## SAUNA STONES

Sauna stones may be dusty, we recommend that they are rinsed before being placed in the rock compartment. Put the larger stones at the bottom. Do not pack stones tightly but place them to allow good air circulation. To prevent damage to the sauna unit, the stones must be replaced if they begin to flake.

## Minimum distances (mm)

Table 1

Sauna room		Minimum distance to:						Minimum distance for the wall bracket		Stone	Supply connections			
kW	Volume m <sup>3</sup>	Height mm	Side wall A mm	In front of D mm	Ceiling F mm	Floor K mm	Niche E mm	B mm	J mm	kg	Cable size H07RN-F			
											400V 3N~		230V 1N~	
											3xA	mm <sup>2</sup>	1xA	mm <sup>2</sup>
3,0	2 - 4	1900	30	50	1200	120	540	50	390	15	10	5x1,5	16	3x2,5
4,5	3 - 6	1900	50	80	1200	120	580	70	390	15	10	5x1,5	20	3x4,0
6,0	5 - 9	1900	70	100	1250	120	650	90	390	23	10	5x1,5	35	3x10
8,0	8 - 13	1900	100	150	1250	120	750	120	390	23	16	5x2,5		
9,0	9 - 14	1900	100	150	1250	120	-	120	390	23	16	5x2,5		

Fig. 2

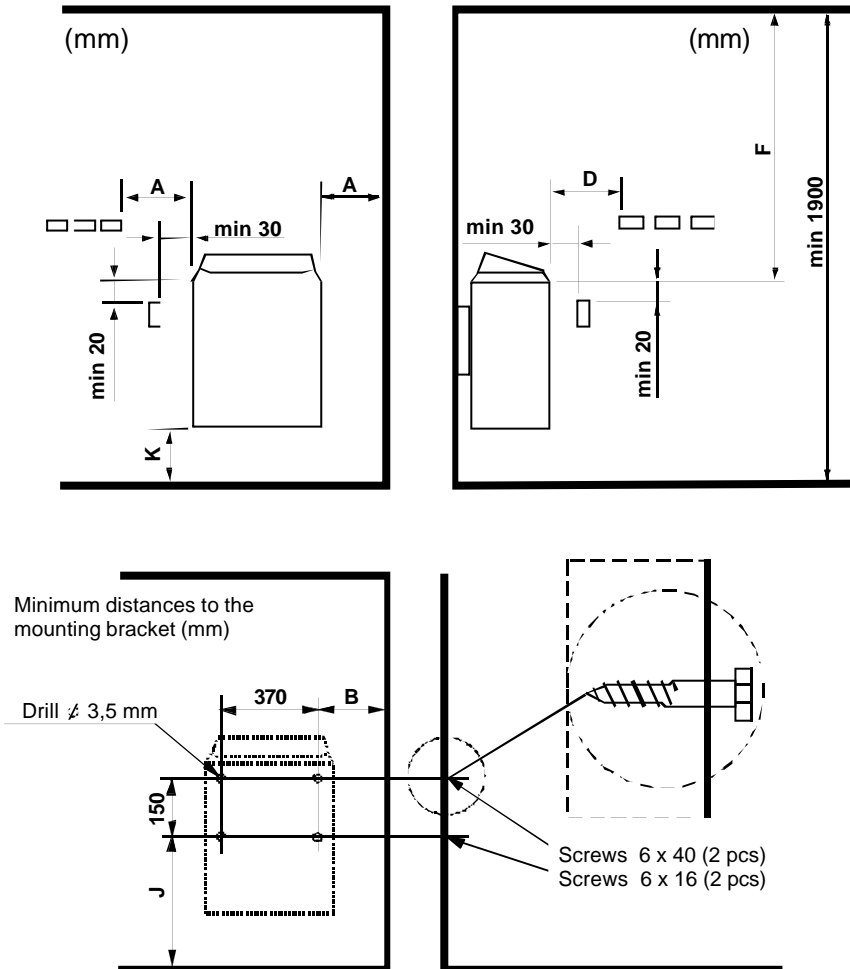


Fig. 3

